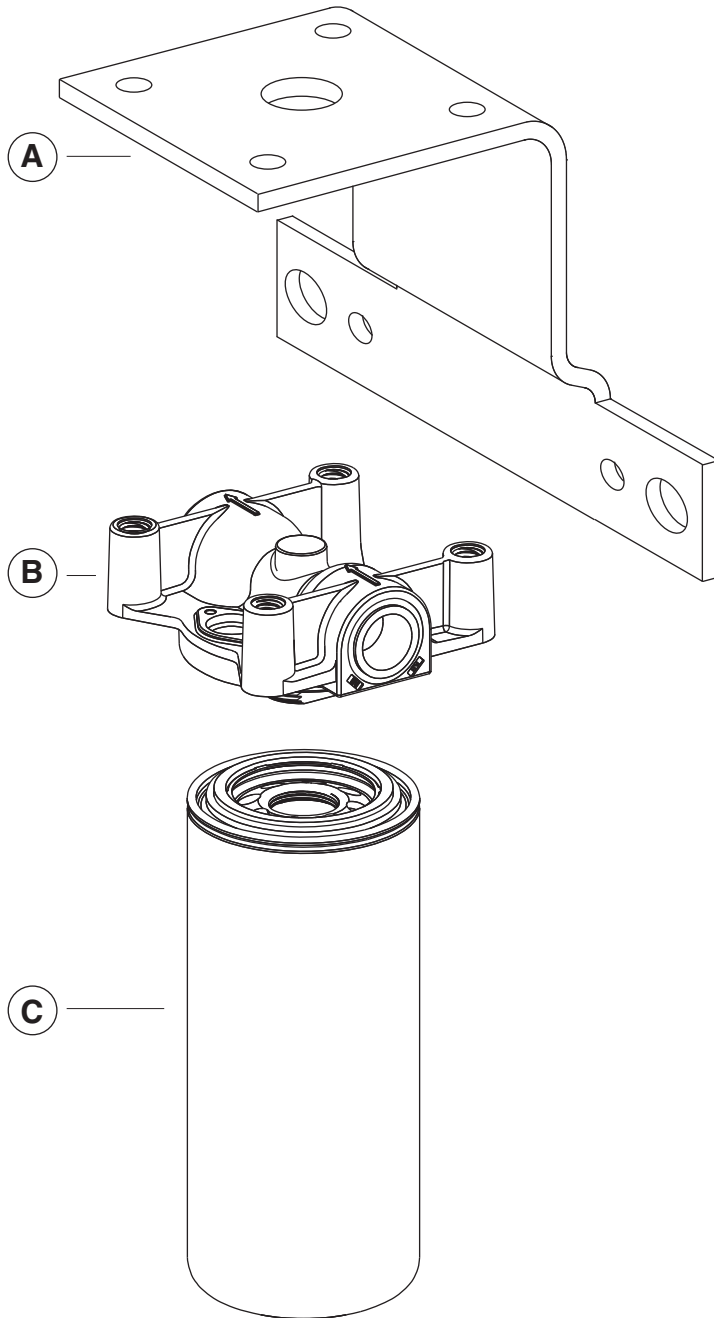




Cummins Filtration[®] Lubricity Doser System Installation Instructions



Parts List

Part	Description	Part Number
A	Mounting Bracket (sold separately)	025653500 S
B	Remote Mounting Service Kit (sold separately)	3957451 S
C	Slow Release Doser System	FA15700

⚠ CAUTION: These instructions are intended for use by professional mechanics who are trained in the proper use of power and hand tools, using appropriate safety precautions (including eye protection).

Doser System Installation

The Cummins Filtration® Doser System is a spin-on additive release mechanism designed to slowly release a lubricity enhancing additive directly into the fuel system. The Doser is compatible with all fuel types, but has no filtration capability, therefore all current filters on your engine should remain unchanged. The Doser is installed prior to the low pressure fuel pump (see Figure 1).

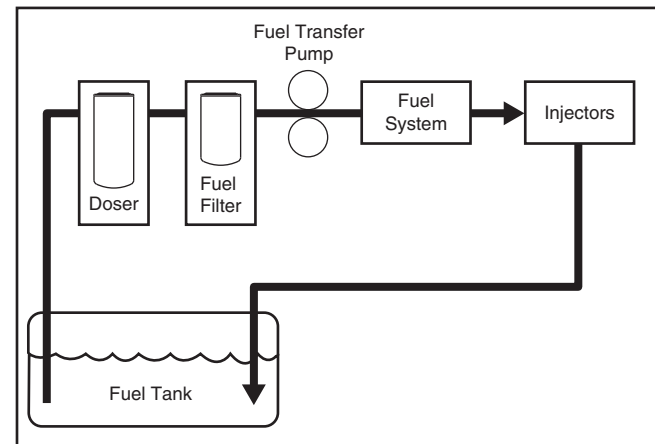


Figure 1 – Typical Installation of Doser

Examine the Doser for any shipping damage and determine the best location for remotely mounting the unit. Depending on the application, it can be located on the frame rail, the engine, or the equipment being used.

⚠ WARNING: Engine components and surfaces may be hot.

⚠ WARNING: Turn the engine off before starting the installation process.

Mounting the Doser

1. With the engine shut down and at ambient temperature, locate where the Doser will be mounted. (The Remote Mounting Service Kit does not contain a mounting bracket, however, the head can be mounted without the bracket using the four bolt holes shown in the dimension drawing on page 4.)
2. If Mounting Bracket is to be used, connect the Mounting Bracket to the Frame Rail using the appropriate hardware.

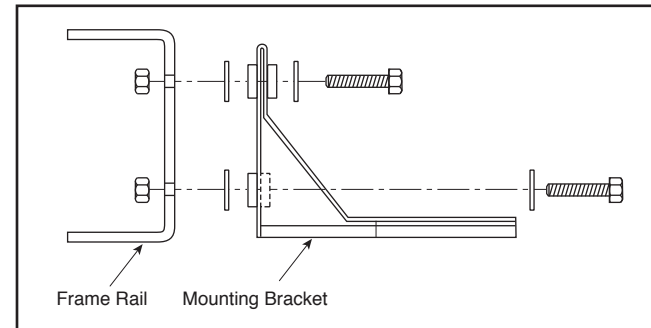


Figure 2 – Attaching the Mounting Bracket to the Frame Rail

3. Determine the orientation for mounting the Remote Mount Head. The direction of flow through the head is indicated on the top of the unit.

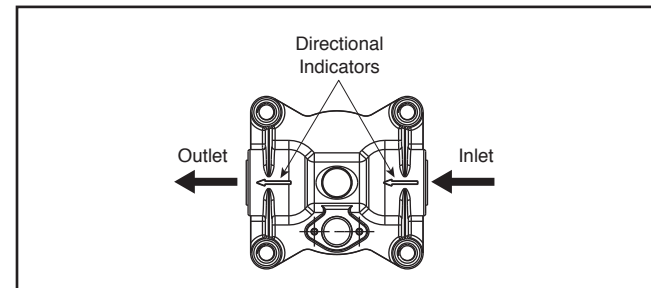


Figure 3 – Directional Flow Indicators on Remote Mount Head

4. Mount the Remote Mount Head either to the Mounting Bracket, if one is used, or directly to the engine using the nuts and bolts provided. Tighten to 20 ft-lb (26.5 N·m).

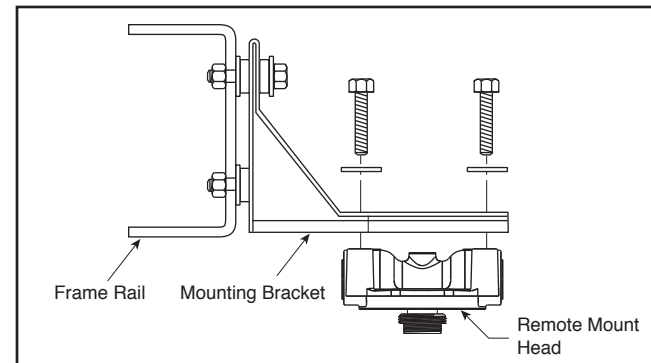


Figure 3 – Mounting the Remote Mount Head

⚠ CAUTION: The Remote Mount Head **MUST** be mounted with the spud insert pointed downward.

Installing the Fuel Inlet and Outlet Lines

1. Remove the red caps from the inlet and outlet ports.
2. Connect the fuel inlet line to the port labeled “IN” and the fuel outlet line to the port labeled “OUT,” as shown in Figure 4. The direction of flow through the head is indicated both on the top and sides of the Remote Mount Head.

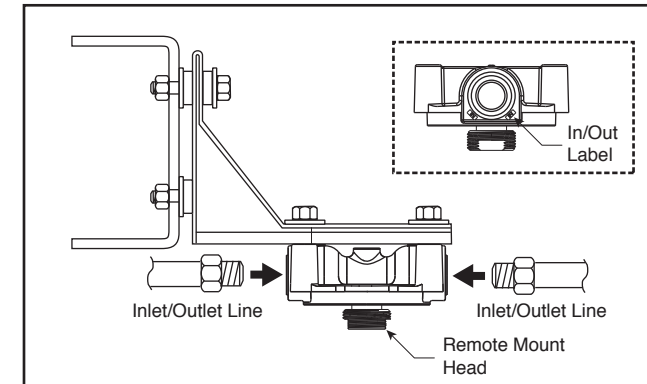


Figure 4 – Installing the Inlet and Outlet Lines

⚠ CAUTION: All hoses must be clear of exhaust and all moving parts. Fasten hoses securely.

Installing the Doser

1. Prime the doser per the instructions listed on the shell.
2. Install the Doser, dome side down per the instructions on the shell.

Specifications

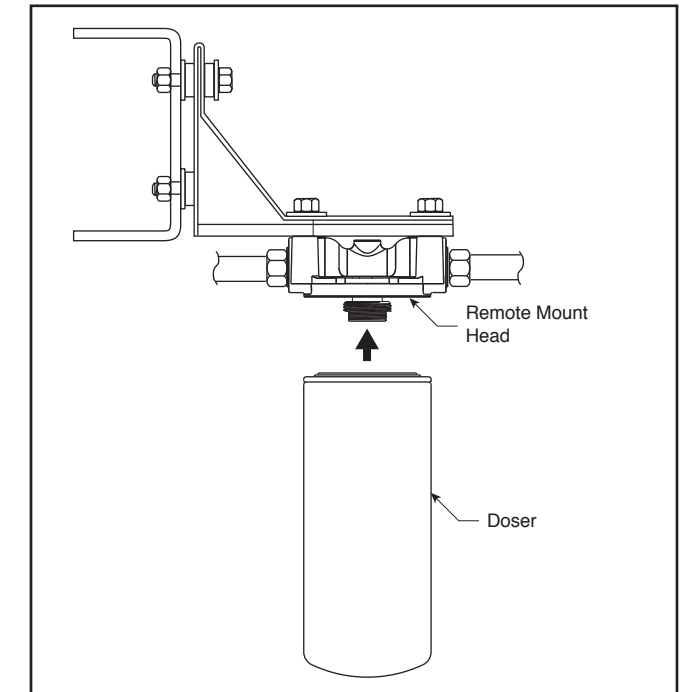
Remote Mount Head

Specification	3957451 S
Height Overall	1.42" (36.07 mm)
Length Overall	3.7" (94.0 mm)
Width Overall	3.6" (91.44 mm)
Thread Inlet	1/2"-14 NPTF
Thread Outlet	1/2"-14 NPTF
Largest Thread	1-1/8"-16 UN-2A

Doser

Specification	FA15700
Height Overall	8.871" (225.32 mm)
Thread Size	1-1/8"-16 UN-2B
Dome Outside Diameter	3.676" (93.37 mm)
Service Interval	500 Hours: In applications having a fuel flow rate of 13.50 gal/hr (51.0 L/hr) or less. 250 Hours: In applications having a fuel flow rate between 13.50 gal/hr (51.0 L/hr) and 17.8 gal/hr (67.4 L/hr). For applications with higher fuel flow rates: Multiple units may be possible, depending upon application and required performance. Contact Cummins Filtration for assistance with these applications.
Rated Temperature	140 °F (60 °C)

Specifications subject to change without notice.



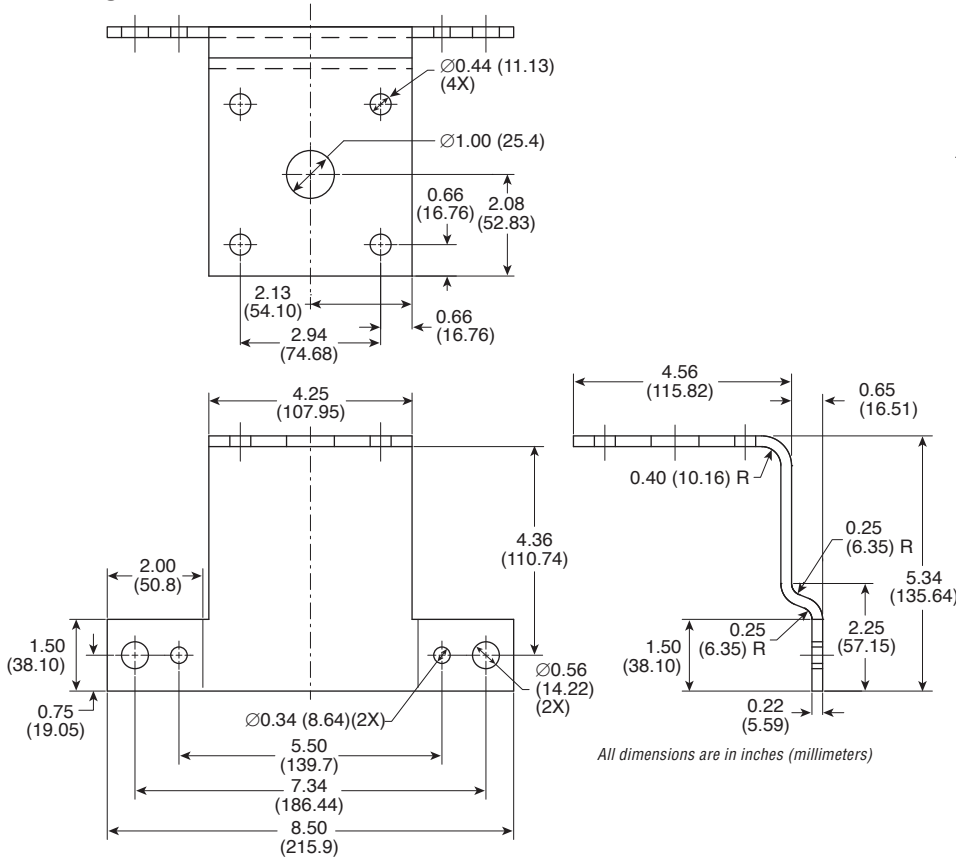
Suggested Preventive Maintenance

Every 12 Months - Check fuel fittings for leaks.

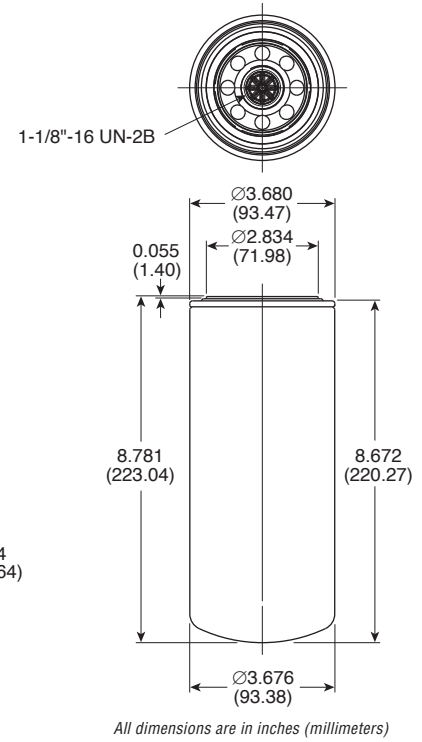
Extreme winter or salt corrosion environments may require lubrication of the top collar threads with Loctite® 76747 antiseize every 180 days.

Dimensions

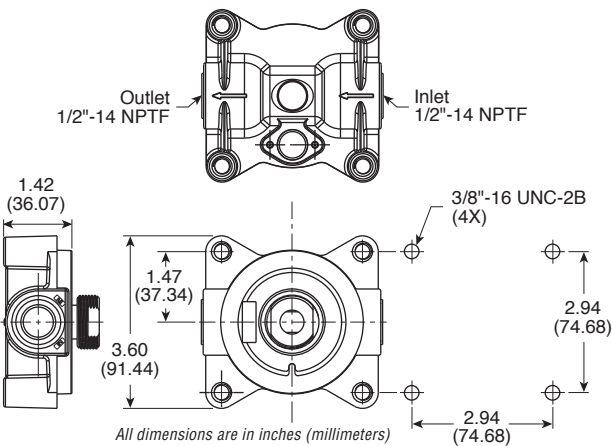
Mounting Bracket



Doser



Remote Mount Head



Performance

Flow vs Restriction

