

ADBLUE® / DIESEL EXHAUST FLUID (DEF) INLINE FILTER

PREVENT MAINTENANCE DOWNTIME AND INCREASE PRODUCTIVITY

BENEFITS

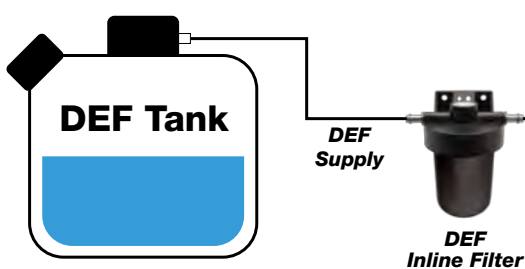
- Extended service intervals
- 5 times more capacity than traditional in tank AdBlue® filters
- Simple to fit and service
- Additional protection for the AdBlue system
- Robust and durable

FEATURES

- Convenient twist off/twist on feature of filter/bowl minimises the probability of contaminants falling into filter bowl during replacement
- Provides 98% efficiency at 40 micron particle size
- The inline filter kit can be installed on trucks and buses with Cummins SCR system
- Able to reverse the inlet and outlet for easier installation

INTEGRATION

- Built in mount bracket
- SAE J2044 fluid connections



Hose and fittings (incl. in installation kit)

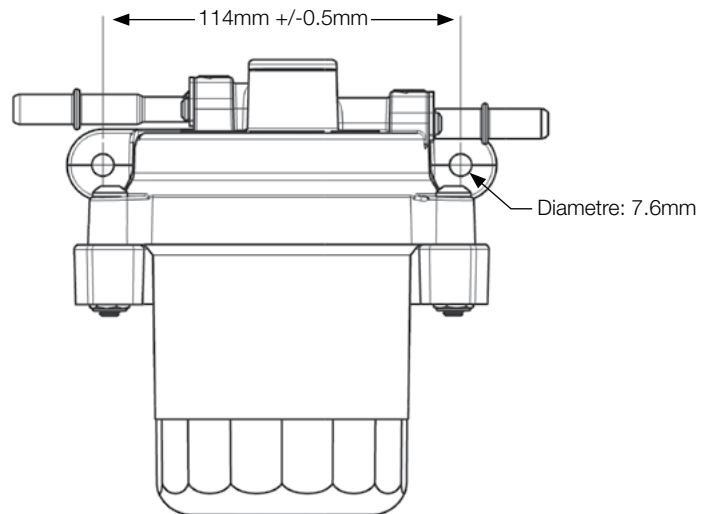
SPECIFICATIONS

TECHNICAL DATA

FILTER TYPE	OPERATING TEMPERATURE RATING	WORKING PRESSURE RATING	FLOW RATING	POWER CONSUMPTION (steady state)	PARTICLE REMOVAL EFFICIENCY
NON-HEATED	-5 to 75 °C	- 500 to 500 Mbar	30 Lph @ 10 mBar ΔP Unloaded (0 gm) 30 Lph @ 25 mBar ΔP Loaded (50 gm)	N/A	≥ 98 % at 40 μm

MATERIALS OF CONSTRUCTION

Filter, Base	Nylon
Bowl	HDPE
Element	Polypropylene
O-ring	EPDM
Gasket	EPDM
Fittings	Stainless Steel



Part Number

- Replacement Element Part Number: UF110
- Assembly Part Number: UF111 (UF110 and filterhead)
- Installation Kit Part Number: UK178 (UF111, hose and fittings)