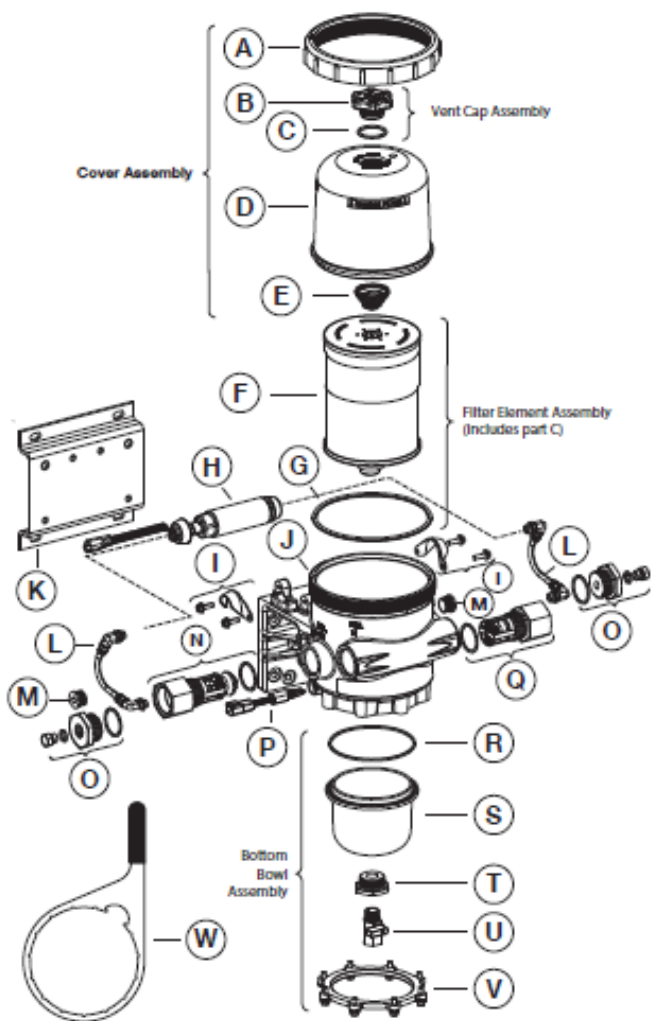


FH239 Industrial Pro Installation Instructions



Industrial Pro® FH239 Series Filter/Separator/Warmer Installation Instructions

Industrial Pro® Single Short



Part	Description	Part Number
A	Collar	Cover Assembly SP1127
B	Vent Cap	
C	O-Ring	
D	Cover	
E	Filter Spring	
F	Filter Element (includes Part C)	FSS3015 (includes Part C)
G	O-Ring	
H	Priming Pump (includes Isolators)	SP1124
I	(2) Priming Pump Clamp and (4) Screws	SP1133
J	Industrial Pro®	See page 14
K	Bracket with Fasteners	SP1131
L	(2) Priming Pump Hoses and (4) Fittings	SP1128
M	Plug 1/2" STOR	SP1125
N	Bypass Check Valve	SP1121
O	Diagnostic Plug Fitting	SP1130
P	Water-In-Fuel (WIF) Sensor	SP1123
Q	Check Valve	SP1120
R	O-Ring	3945125 S
S	Bottom Bowl	Bottom Bowl Assembly (Includes Part R)
T	Drain Flange	SP1134
U	Drain Valve	
V	Bottom Bracket and Bolts (8)	
W	Wrench	SP1076
Not Shown	WIF Wiring Harness	3950729 S
	WIF LED	3946670 S
	Electric Pre-heater	See page 9
	Adapter Fitting, 3/4" to 1-1/4"	SP1135
	Adapter Fitting, 1-1/4" NPT to M42 x 1.5	3956561 S

CAUTION: These instructions are intended for use by professional mechanics who are trained in the proper use of power and hand tools, using appropriate safety precautions (including eye protection).



[LT36333_IP_FH239_Installation_Instructions.pdf](#) [1]

English

[Product Literature](#) [2]

For more information call 1800 032 037 or email fleetassist.australia@cummins.com

FH239 Industrial Pro Installation Instructions

Published on Cummins Filtration (<https://www.cumminsfiltration.com/south-pacific>)

LT36333
Products

Links

- [1] https://www.cumminsfiltration.com/south-pacific/sites/cumminsfiltration-empty.bitnamiapp.com.south-pacific/files/LT36333_IP_FH239_Installation_Instructions.pdf
- [2] <https://www.cumminsfiltration.com/south-pacific/literature>