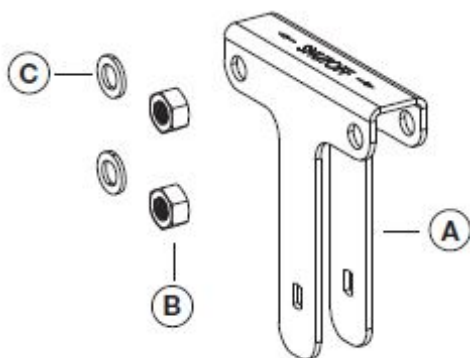


## **Sea Pro® FH240 Series Handle Kit (SP1293) Installation Instructions**



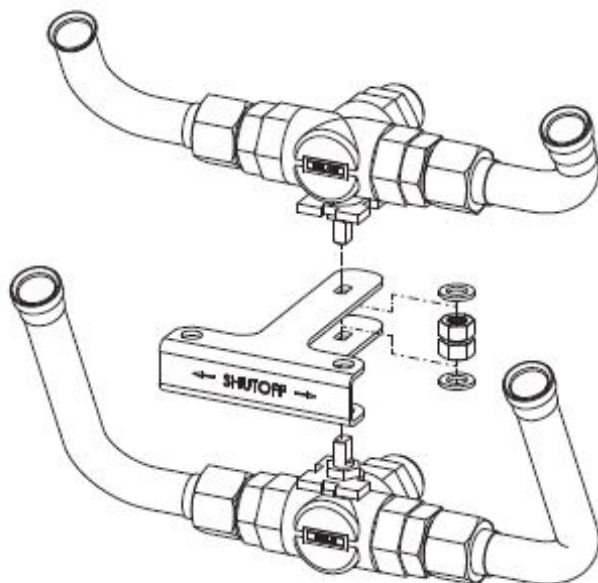
## Sea Pro® FH240 Series Handle Kit (SP1293) Installation Instructions



Part	Description	Quantity
A	Handle, Dual Valve	1
B	Nut, Hex M12x1.75 SS	2
C	M12 Lock Washer	2

### Torque Values

Torque		
in-lb	ft-lb	N-m
96-120	8-10	11-14



**CAUTION:** These instructions are intended for use by professional mechanics who are trained in the proper use of power and hand tools, using appropriate safety precautions (including eye protection).



[LT36440 Sea Pro FH240 Handle Kit Install v3.pdf](#) [1]

English

[Fuel Filtration](#) [2]

## Sea Pro® FH240 Series Handle Kit (SP1293) Installation Instructions

Published on Cummins Filtration (<https://www.cumminsfiltration.com>)

---

LT36440

Products

### Links

[1] <https://www.cumminsfiltration.com/sites/default/files/LT36440%20Sea%20Pro%20FH240%20Handle%20Kit%20Install%20v3.pdf>

[2] <https://www.cumminsfiltration.com/literature/fuel>