

## **Sea Pro® FH240 Series Bracket Kit (SP1298) Installation Instructions**

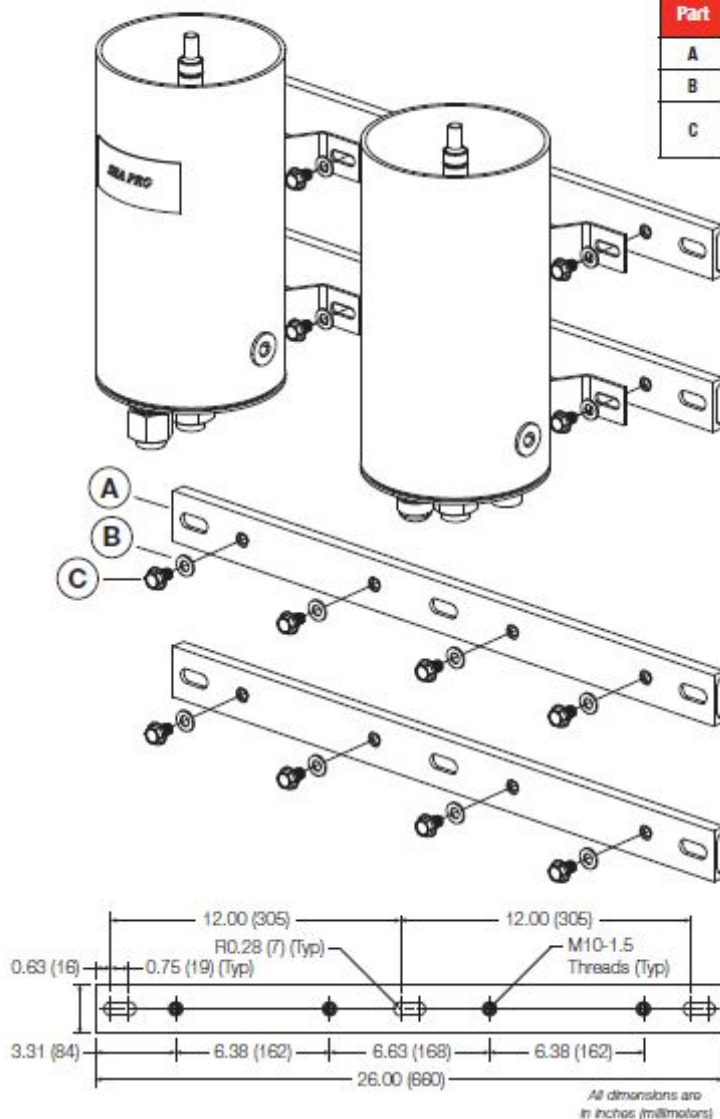


# Sea Pro® FH240 Series Bracket Kit (SP1298) Installation Instructions

Part	Description	Quantity
A	Bracket, Mounting	2
B	Washer, M10 FLAT 18-8 SS	8
C	Screw, M10-1x5x16 Serrated Flange HHCS	8

### Torque Values

Torque		
in-lb	ft-lb	N-m
300-480	25-40	34-54



**CAUTION:** These instructions are intended for use by professional mechanics who are trained in the proper use of power and hand tools, using appropriate safety precautions (including eye protection).

[LT36439 Sea Pro FH240 Bracket Kit Install v3.pdf](#) [1]  
 English

[Fuel Filtration](#) [2]

## Sea Pro® FH240 Series Bracket Kit (SP1298) Installation Instructions

Published on Cummins Filtration (<https://www.cumminsfiltration.com>)

---

LT36439

Products

### Links

[1] <https://www.cumminsfiltration.com/sites/default/files/LT36439%20Sea%20Pro%20FH240%20Bracket%20Kit%20Install%20v3.pdf>

[2] <https://www.cumminsfiltration.com/literature/fuel>