

### Parts List

Part	Description	Part Number
A	Water Filter Mounting Bracket	256535 S
B	Filter Head	204163 S
C	Replacement Filter	See Ordering Information
A + B	Complete Assembly	257715 S

### Installation

Installation of a water filter can be accomplished in a variety of locations by various methods. The water filter is a by-pass type filter that limits coolant flow through the element. The inlet should be attached to a point that has a relatively higher pressure than the outlet.

#### Inlet connection points:

- a. Tee into the water heater inlet line
- b. Thermostat housing
- c. Water manifold
- d. Water header opening
- e. Cylinder head opening
- f. Water pump perimeter

#### Outlet connection points:

- a. Tee into the heater outlet line
- b. Return line from radiator to water pump
- c. By-pass line

Once the connection points have been selected, follow these guidelines for installation:

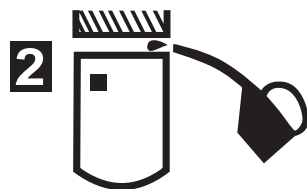
1. Select a location with easy access for servicing.
2. Filter should be installed as vertical as possible.
3. The location should be below the radiator top tank.
4. The inlet line should be as short as possible.
5. Use 3/8" minimum ID hoses.
6. Ensure that the inlet and outlet are unrestricted.
7. Use rigid mounts to reduce vibration.

**Note:** Fleetguard recommends the use of an inlet and outlet shut-off valve, which makes changing the element more convenient.

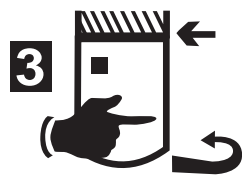
### Replacing Your Water Filter



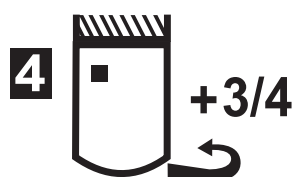
1. Before removing the used filter, first remove the radiator cap to depressurize the cooling system.



2. Next, lubricate the filter gasket with clean engine oil prior to installation.



3. Thread the filter on and rotate into place until the gasket makes first contact with the filter head.



4. Once the gasket has made first contact with the filter head, turn the filter the number of rotations as indicated by the installation graphic visible on the filter.

**CAUTION:**

These instructions are intended for use by professional mechanics who are trained in the proper use of power and hand tools, using appropriate safety precautions (including eye protection).

## Ordering Information

Filter Head Part Number*	Description	Style	Port Size	Thread Size
204163 S	Water Filter Spin-On Head	Aluminum	3/8" NPT	11/16-16 UN-2B
215617 S	Dual Water Filter Spin-On Heads	Aluminum	1/2" NPT	11/16-16 UN-2B
256535 S	Filter Head Mounting Bracket	-	-	-
257715 S	Water Filter Head (204163 S) and Mounting Bracket Assembly	Aluminum Head	3/8" NPT	11/16-16 UN-2B
3904378 S	Severe Duty Water Filter Head	Steel	3/8" NPT	11/16-16 UN-2B

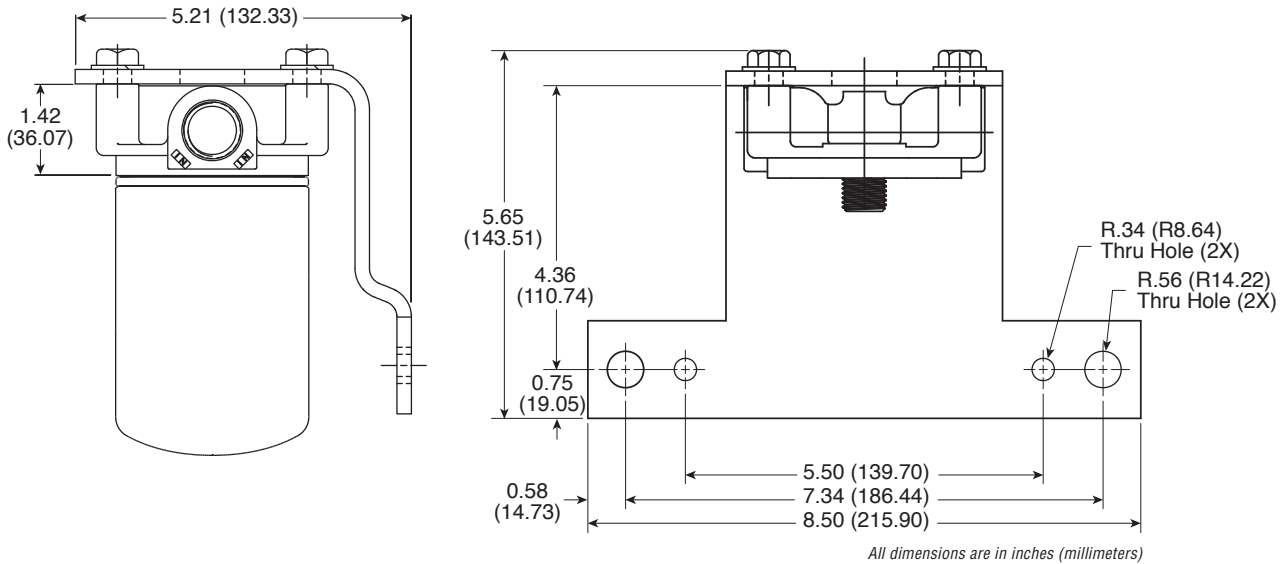
\* Severe Duty Filter Head is recommended for most applications.

## Replacement Filters

Part Number	Description
WF2071	Spin-On Filter with DCA4+ Additive
WF2121	Spin-On Filter with Slow Release DCA4+ Additive
WF2122	Spin-On Filter with No Additive
WF2123	Spin-On Filter with No Additive
WF2131	Spin-On Filter with Slow Release DCA2+ Additive

Note: The filters shown in this table are representative of the types of filters available for these Water Filter Heads.

## Dimensions



**Filtration**

For more information, visit  
[cumminsfiltration.com](http://cumminsfiltration.com)

LT36396  
©2014 Cummins Filtration Inc.  
Printed in the U.S.A.