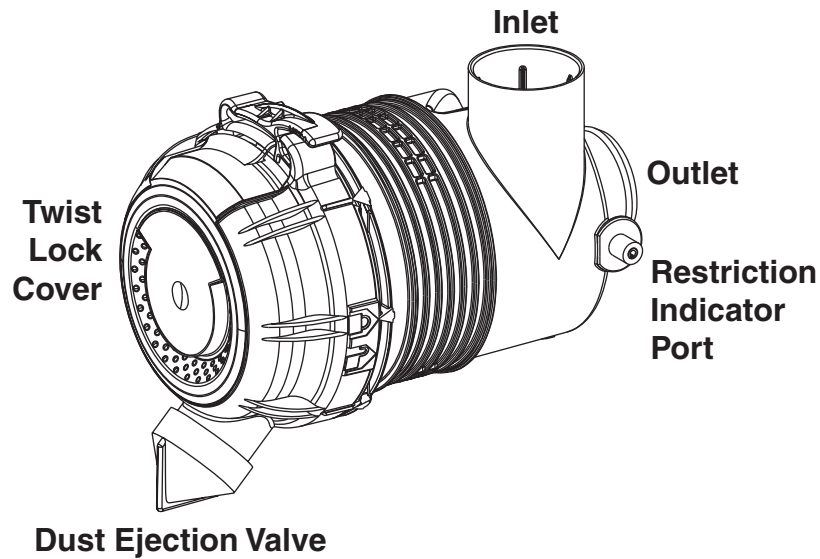


OptiAir™ 400 Series



Specifications

| Specification | AH19474 | AH19496 |
|------------------------------|-----------------------------------|----------------------------------|
| Length Overall | 9.3" (237.1 mm) | 9.3" (237.1 mm) |
| Cover OD | 5.6" (141.6 mm) | 5.6" (141.6 mm) |
| Flow, Min. (2" restriction) | 29 CFM (0.8 m ³ /min) | 36 CFM (1.0 m ³ /min) |
| Flow, Max. (12" restriction) | 102 CFM (2.9 m ³ /min) | 83 CFM (2.3 m ³ /min) |
| Secondary Element | No | Yes |
| Housing Material | Plastic | Plastic |
| Pre-cleaner Integral | Yes | Yes |
| Outlet | Straight | Straight |

Specifications subject to change without notice.

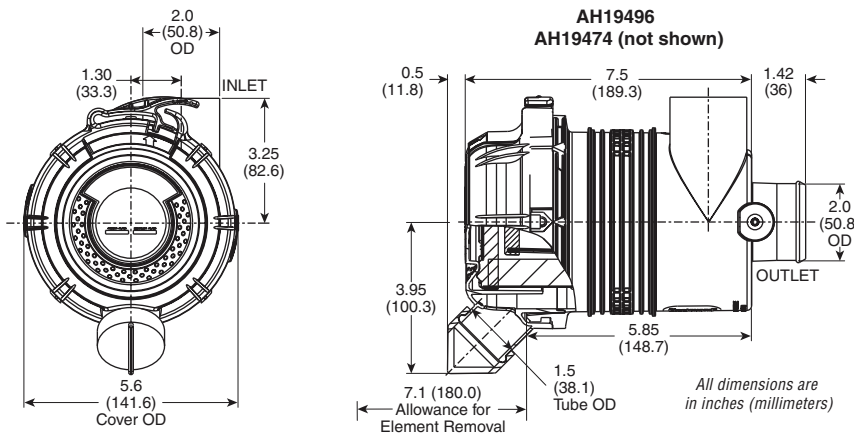
Ordering Information

| Air Cleaners | |
|--------------|--|
| Part Number | Description |
| AH19474 | OptiAir™ 400 Series Air Cleaner – without Secondary Element – with Straight Outlet |
| AH19496 | OptiAir™ 400 Series Air Cleaner – with Secondary Element – with Straight Outlet |

| Accessories | |
|-------------|--------------------------|
| Part Number | Description |
| 3918199 S | Mounting Bracket |
| 1 | No. of Brackets Required |
| 3316653 S | Outlet Band Clamps |
| 3918194 S | Weather Hood |
| N/A | Hump-Hose |
| 3316564 S | 90° Elbow |
| N/A | 90° Reducing Elbow |
| 3946326 S | Restriction Indicator |

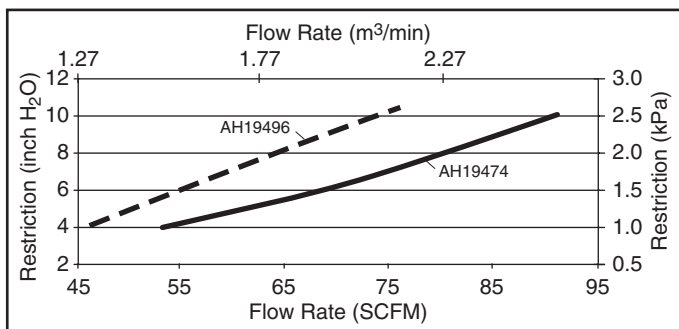
| Service Parts | |
|---------------|------------------------|
| Part Number | Description |
| AF26116 | Primary Element |
| N/A | Magnum Primary Element |
| AF26167 | Secondary Element |
| 3946457 S | Dust Ejection Valve |
| 3946459 S | Cover Assembly |

Dimensions



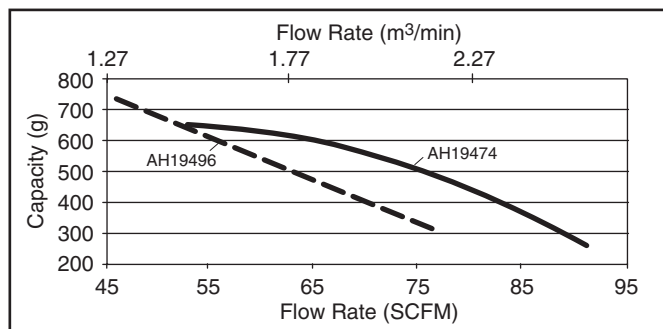
Performance

System Restriction vs Flow Rate



| Restriction | | Flow Rate () = with Secondary | |
|---------------------|-----|-----------------------------------|---------------------|
| in H ₂ O | kPa | CFM | m ³ /min |
| 6 | 1.5 | 70 (55) | 1.98 (1.56) |
| 8 | 2.0 | 82 (65) | 2.32 (1.84) |
| 10 | 2.5 | 93 (74) | 2.63 (2.10) |
| 12 | 3.0 | 102 (83) | 2.89 (2.35) |

System Capacity vs Flow Rate



| Capacity | | Flow Rate () = with Secondary | |
|----------|------------------------|-----------------------------------|---------------------|
| g/CFM | kg/m ³ /min | CFM | m ³ /min |
| 10 | 0.353 | 62 (57) | 1.76 (1.61) |
| 25 | 0.883 | 37 (35) | 1.05 (0.99) |

Note: Efficiency 99.98% - Interpolated Data